

TECHNICAL SPECIFICATIONS INJECTION MANDREL - HYDRACHEM

Product Name: HYDRACHEM INJECTION MANDREL

Brand: HYDRAHEAD

MECHANICAL SPECIFICATIONS

Material:
 Body: 304SS
 Injector Body: 316SS
 Injector Spring: Inconel X750

OD Max : Max OD: 4,56"

Connections: Threaded connections 2-7/8 EU or 2-3/8 EU

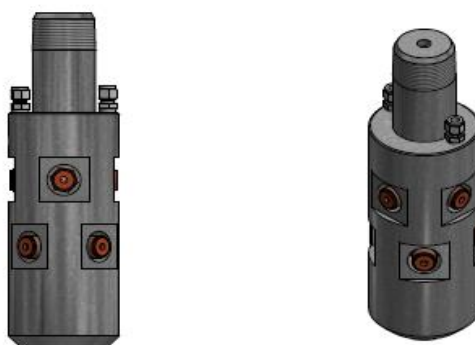
PHYSICAL SPECIFICATIONS

Work Pressure 5000 PSI

Temperature 500°F

Environments: CO₂ & H₂S

SCHEMATIC



ADVANTAGES

Greater efficiency in chemical injection downhole, increasing the run life of the equipment.

8 injection ports covering 360° of the annular.

EU PIN y BOX threaded connections allow assembly in tandem or with other centralizing components.

Compatible with Chemical Injector Crossover for applications with Desanders.

Resistant to corrosive environments.

Connection capacity of 2 chemical injection lines (compatible)

APPLICATIONS

Corrosion inhibitors

Organic inhibitors: Asphaltenes, scale, paraffins.

Demulsifying injection

Injection of flow enhancers

OTHER(S)

Adaptability: Equipment is assembled below the ESP equipment using EU threaded connections.

Workload: Sandy and gaseous wells

Reusable: Equipment repairable in 100% of its parts

Origin Country Ecuador